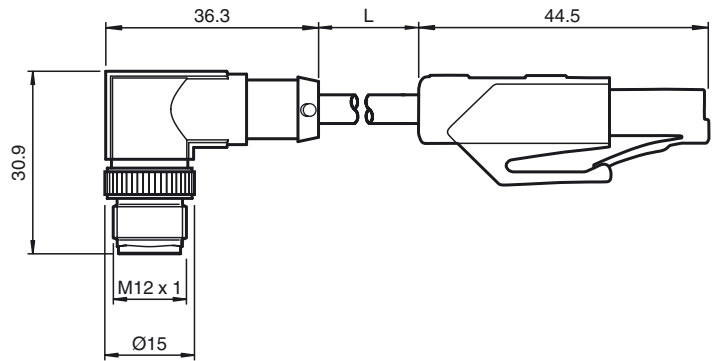


**Dimensions**



**Model Number**

V1SD-90-W-3M-PUR-ABG-V45-G

Connection cable, M12 to RJ-45, PUR cable 4-pin, CAT5e

**Features**

- D coding for Ethernet
- Hard-wearing PUR cable
- CAT5/CAT5e cable
- Halogen-free
- Completely silicon free

**Technical data**

**General specifications**

Number of pins	4
Connection 1	Male connector
Construction type 1	straight
Threading 1	M12
Connection 2	Male connector
Construction type 2	straight
Threading 2	RJ-45

**Electrical specifications**

Rated voltage	$U_r$	50 V
Rated current	$I_r$	1 A at 40 °C
Volume resistance		$\leq 290 \Omega/\text{km}$

**Ambient conditions**

Ambient temperature	-20 ... 80 °C (-4 ... 176 °F)
Operating temperature	-40 ... 80 °C (-40 ... 176 °F) , fixed -20 ... 80 °C (-4 ... 176 °F) , moving
Storage temperature	-20 ... 80 °C (-4 ... 176 °F)

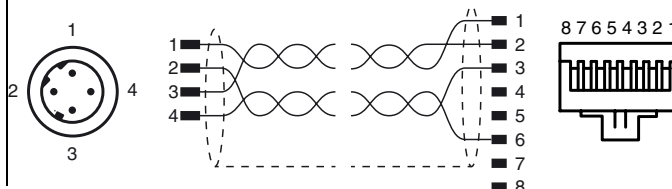
**Mechanical specifications**

Degree of protection	IP67 / IP20	
Connection	M12 x 1 connector, 4-pin, D-coded RJ-45 Category 5 , up to 100 MHz	
Material		
Body	TPU, black / PA	
Cable	PUR	
Core insulation	PE	
Cable	2 pairs with 2 wires each with 2 fillers for the core	
Sheath diameter	6.4 mm $\pm$ 0.2 mm	
Bending radius	> 8 x cable diameter, moving > 4 x cable diameter, fixed	
Color	water blue (RAL 5021)	
Cores	2 x 2 x 0.14 mm <sup>2</sup> 26 AWG	
Conductor construction	7 x 0.16 mm $\varnothing$	
Shield	Foil-laminated polyester film Copper mesh, tin-plated, 70% coverage	
Length	L	3 m
Note	M12 connector: contact carrier ist rotated by 90°	

**Compliance with standards and directives**

Standard conformity	
Standards	CAT5 (IEC 11801:2002)
Flammability	IEC 60332-1-2:2005
Halogen-free	IEC 60754-1:2011
Chemical resistance	DIN EN 60811-2-1:2002

**Electrical connection**



Release date: 2018-06-27 13:19 Date of issue: 2018-06-27 280625\_eng.xml